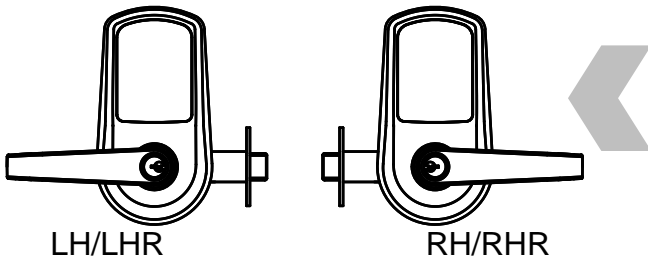


SDS INSTALLATION INSTRUCTION

CYLINDRICAL LOCK



Phone: 866-874-3662 | www.pdqlocks.com

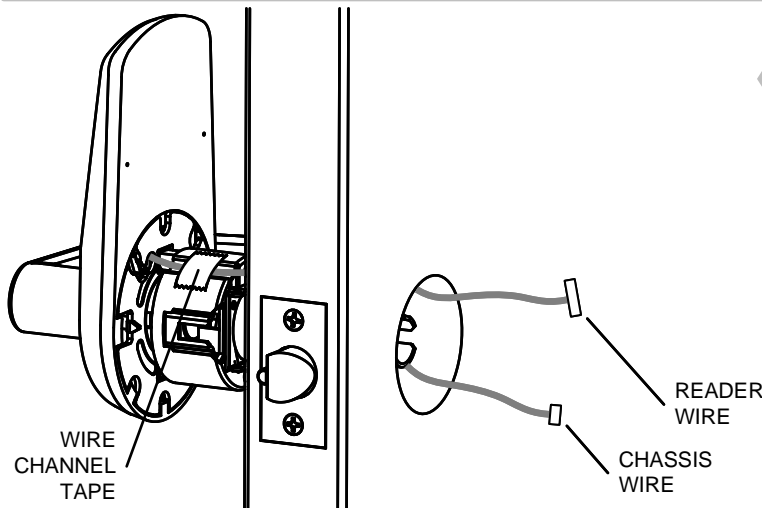
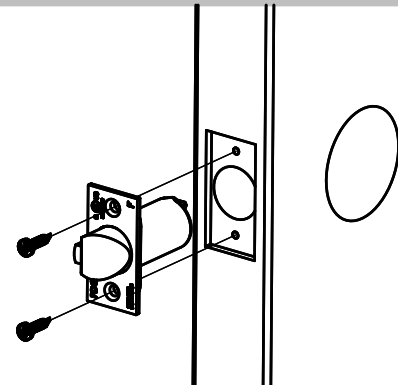


1. CHECK HANDING OF LOCK

- If handing of lock is not correct for opening, see next page for handing instructions.

2. PREPARE DOOR & INSTALL LATCH

- Prepare door according to template.
- Install latch, radius toward door frame
- Secure with (2) combo screws.

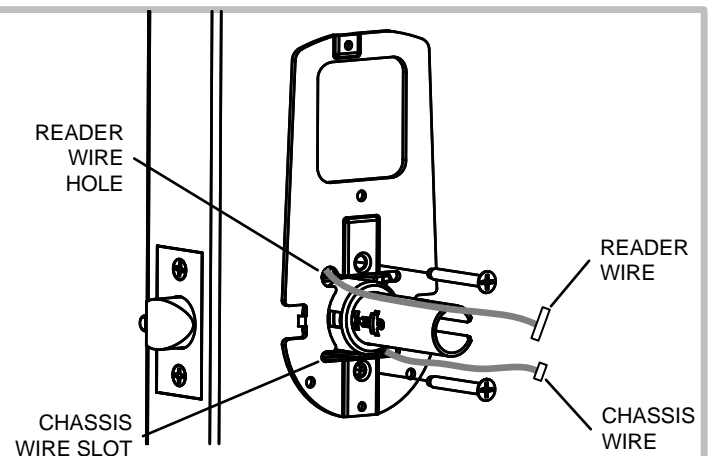


3. INSTALL OUTSIDE TRIM / CHASSIS ASSEMBLY

- Install escutcheon/chassis assembly from outside of door – feeding wires through chassis hole in door.
- Verify wire is secured on chassis channel under tape

4. INSTALL INSIDE MOUNTING PLATE

- Install inside mounting plate and secure with (2) flat head screws.



SDS INSTALLATION INSTRUCTION

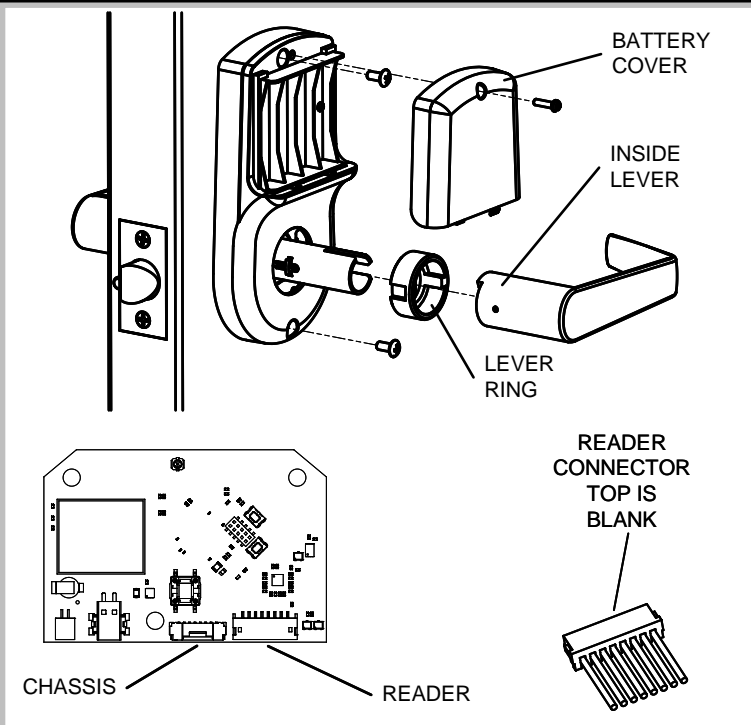
CYLINDRICAL LOCK



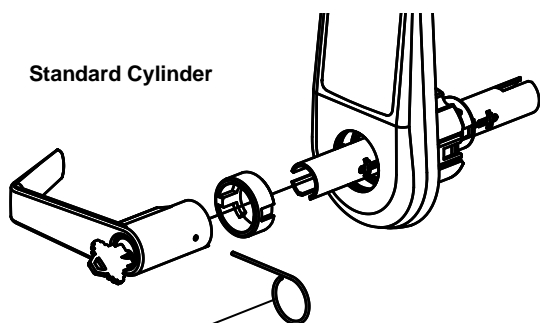
Phone: 866-874-3662 | www.pdqlocks.com

5. CONNECT READER AND INSTALL INSIDE TRIM

- Plug reader wire and chassis wire into sockets on control board on back of escutcheon, install escutcheon onto door. Be careful not to pinch wires.
- Secure escutcheon with (2) short pan head screws.
- Install batteries and battery cover with long pan head screw.
- Install lever ring and inside lever – push until lever retaining clip clicks into place.

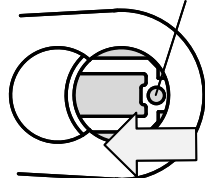


Standard Cylinder



LEVER PICK

Interchangeable Core

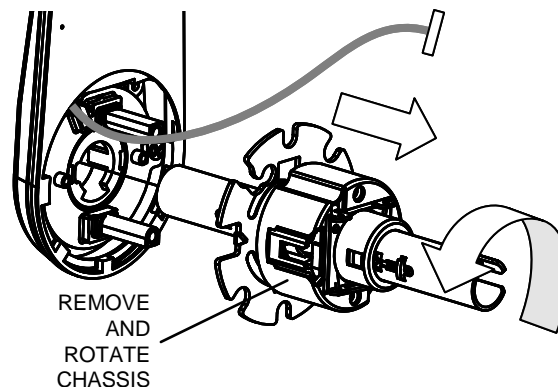
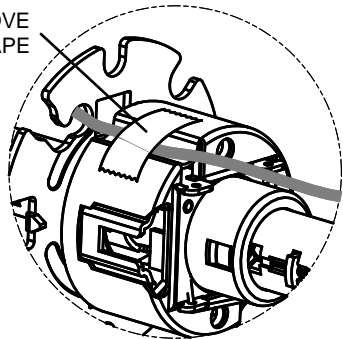


REMOVE CORE,
PULL BACK CLIP
WITH SCREWDRIVER
HERE

HANDING INSTRUCTIONS

1. Remove outside lever:
Standard Cylinder - Use supplied pick in hole on front of lever. Lever cannot be removed with pick until key is inserted and turned 45 degrees.
Interchangeable Core – Remove core from outside lever with Control Key, Using small screwdriver or awl, pull back lever clip from inside as shown.
2. Remove tape holding wire to chassis.
3. Pull chassis out of escutcheon and rotate chassis 1/2 turn (180°) maximum.
4. Replace chassis and attach tape.
5. Re-install lever -
Standard: Rotate key while installing / IC: Insert Core

REMOVE
TAPE



REMOVE
AND
ROTATE
CHASSIS