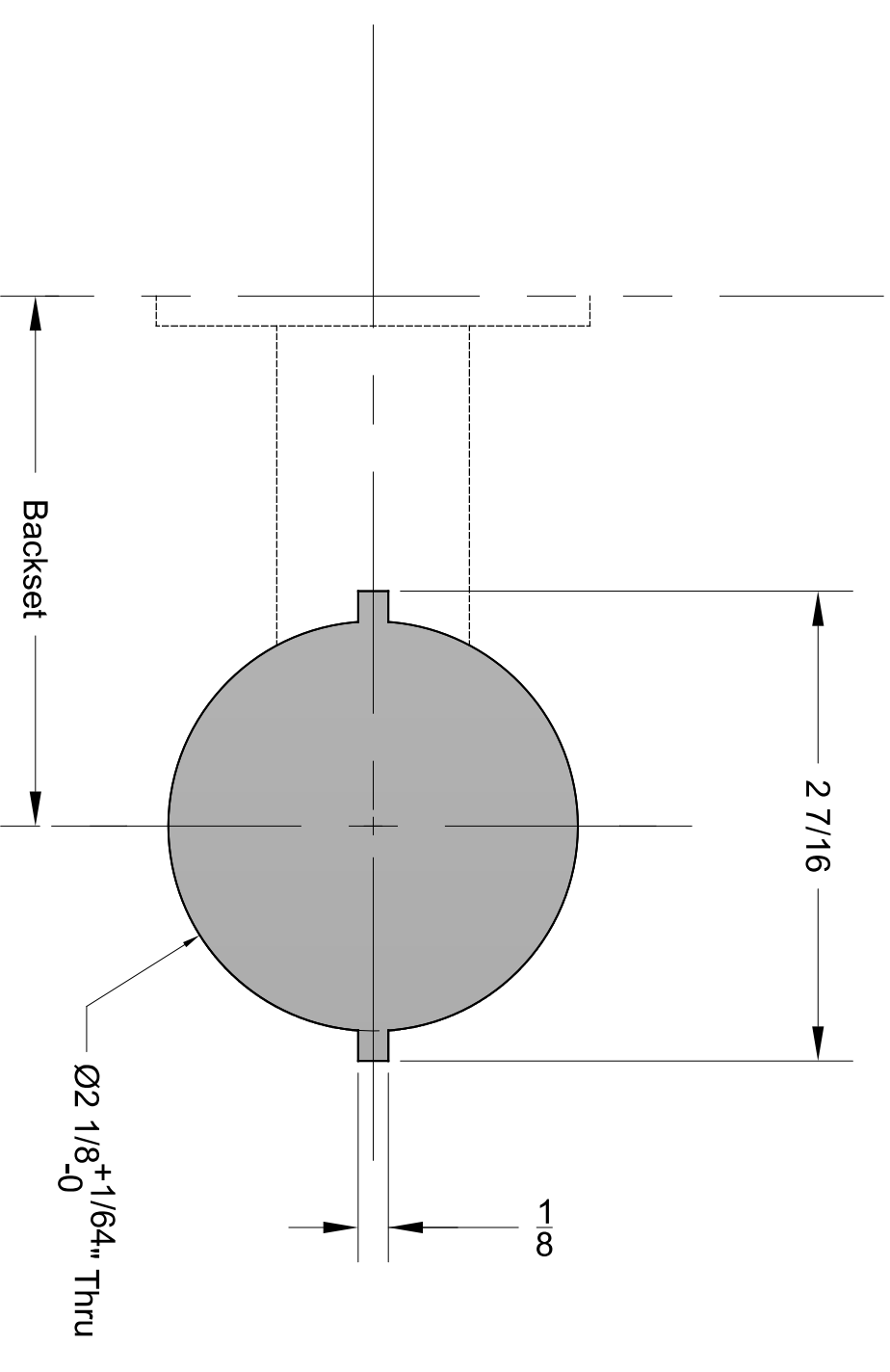
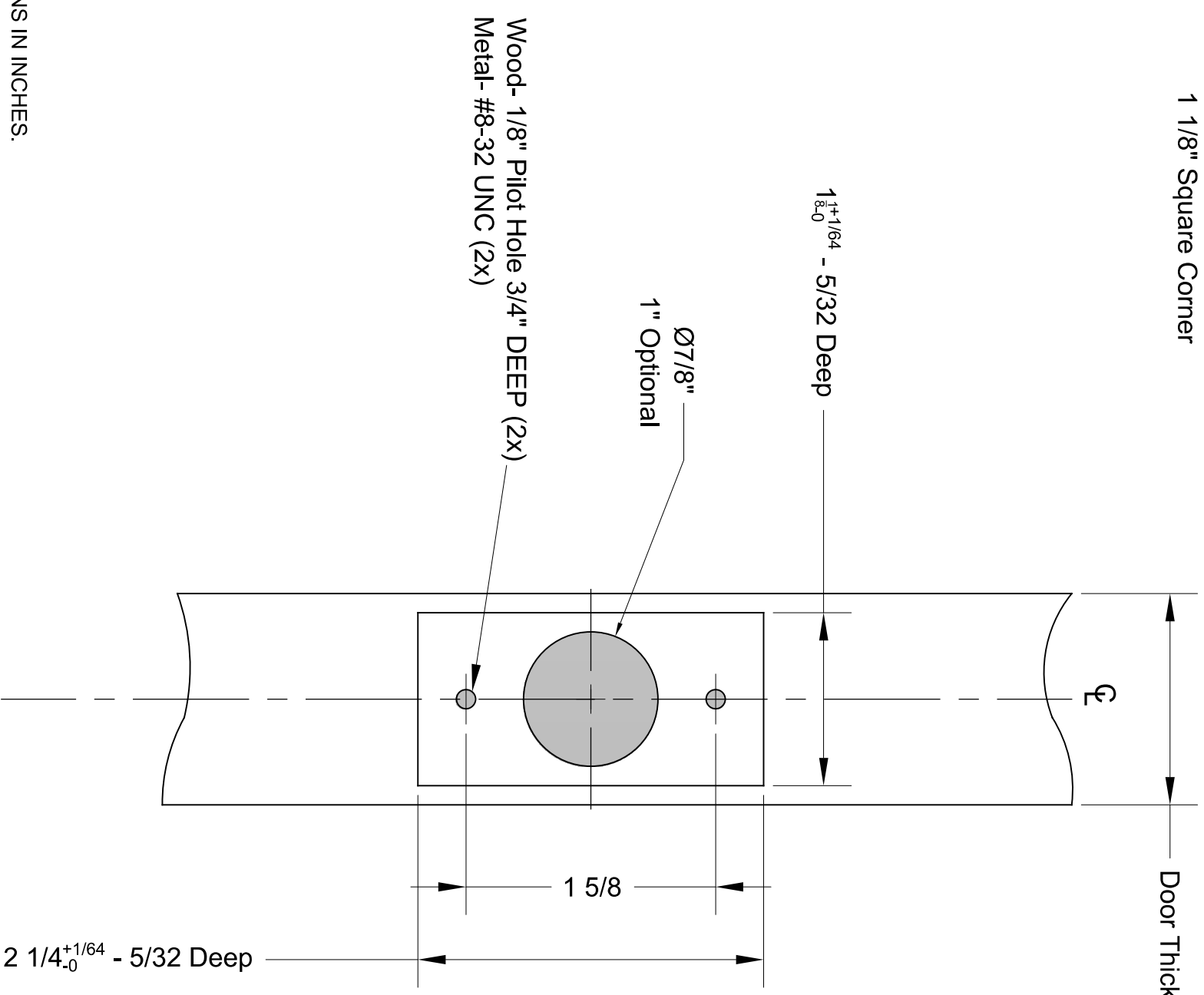


SDS Cylindrical Template

TEMPLATE: OE-9709
REV. 0 3-21-2024

Door Type: Hollow Metal, Wood or Composite- Square or Beveled Edge Door
Door Thickness: 1 3/4"
Backset: 2 3/4" - 2 3/8"
Faceplate: 1 1/8" Square Corner



NOTES:

1. DIMENSIONS IN INCHES.
2. ALWAYS CHECK PDQ WEBSITE FOR THE MOST RECENT TEMPLATE REVISION AT WWW.PDQLOCKS.COM



PDQ Manufacturing
2230 Embassy Dr.
Lancaster, PA 17603
833-273-7832
833-2 PDQTECH
www.pdqlocks.com