

1. PREPARE DOOR & INSTALL LATCH

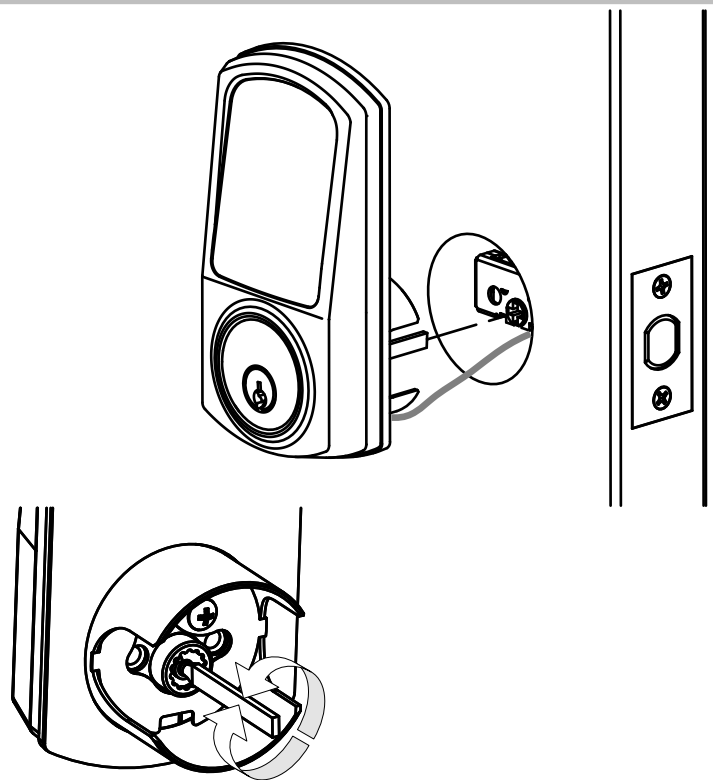
- Prepare door according to template.
- Retract deadbolt
- Install adjustable latch with cross slot for tailpiece toward bottom.
- Secure with (2) small combo screws.

2. INSTALL OUTSIDE TRIM ASSEMBLY

- Install escutcheon/chassis assembly from outside of door – feeding reader wire through chassis hole in door – under latch.

Left Hand Door – Rotate tailpiece clockwise until it stops in the vertical orientation.

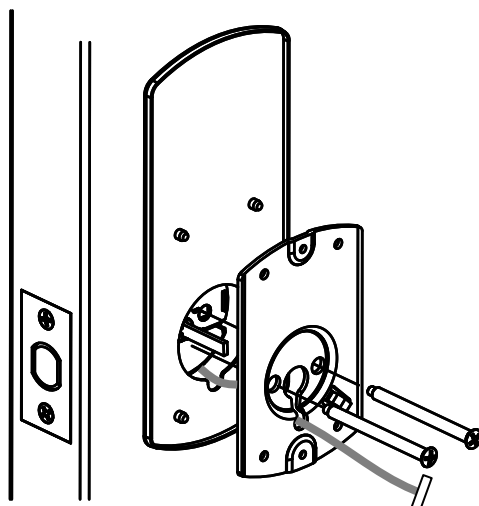
Right Hand Door – Rotate tailpiece counter-clockwise until it stops in the vertical orientation.



3. INSTALL GASKET & INSIDE MOUNTING PLATE

- Route wire through slot in bottom of gasket and mounting plate
- Install rubber gasket and inside mounting plate and secure with (2) pan head screws.

CAUTION: DO NOT OVERTIGHTEN SCREWS



KMS INSTALLATION INSTRUCTION

MOTORIZED DEADBOLT



Phone: 866-874-3662 | www.pdqlocks.com

4. INSTALL INSIDE TRIM AND BATTERIES

- Plug reader wire into socket on control board on back of escutcheon, route wire through hook in mounting plate as shown, install escutcheon onto door.
 - Take care to keep from pinching wire.
- Verify that thumb turn properly operates deadbolt latch smoothly.
- Secure escutcheon with (2) pan head screws.
- Install batteries and battery cover with pan head screw.

